

SEED TREATER SPECIFICATIONS



The "Low RPM/High Torque" motor & gearbox, combined with the adjustable slide gate, provides the accuracy of both systems.

The agitator spike on the steel blade keeps the product *moving smoothly*.



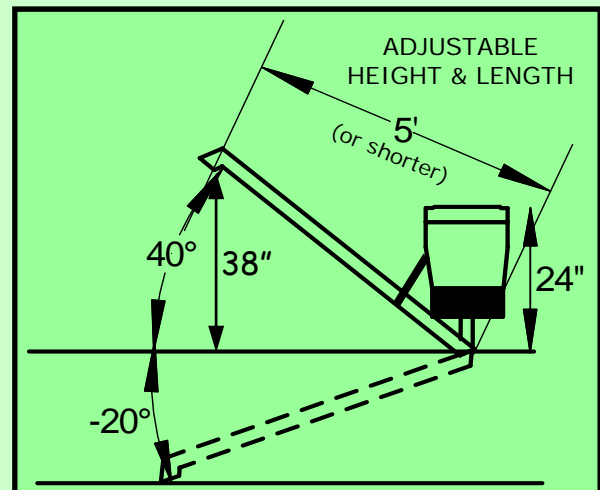
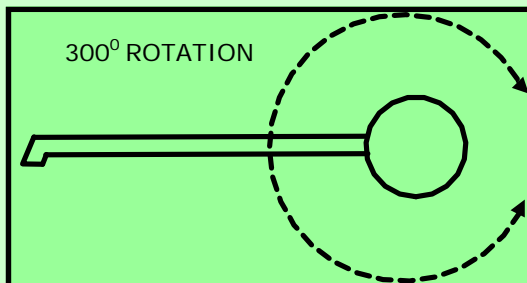
Auger Mount is complete with hanger brackets, mounting rails & wiring system. Special 2-way wiring powers both treater & auger. Discharge spout directs product onto "flowing" seed.

Both Direct & Auger Mount system can mount directly onto the seed tender or with mounting rails provided (see front of brochure). Direct mount is the most economical unit available.



<u>SPECIFICATIONS</u>	<u>DIRECT MOUNT</u>	<u>AUGER MOUNT</u>
DEMINSIONS	10.25" DIA. X 16.5" HEIGHT (plus hose length)	10.25" DIA. X 24" HEIGHT (to bottom of power unit)
AUGER SIZE	****	1.5" DIA. X 5' LONG (Length can be shorten)
METERING RATE	12# to 120# per Hour ¹	12# to 120# per Hour ¹
CONTAINER CAPACITY	12# ¹	12# ¹
MOTOR/GEARBOX	12Volt Low RPM/High Torque	(2) 12Volt Low RPM/High Torque
POWER REQUIREMENTS	.6 AMPS	1.2 AMPS
¹ Based on 80/20 Talc/Graphite		
WIRING SYSTEM OPTIONS BOTH MODELS	FULL 60' WIRING Battery Clips, 3-Way Switch (Also works with Optional Micro-Switch)	DIRECT WIRING Wires Direct to Seed Tender ON/OFF Switch

ADJUSTABLE HEIGHT & 300° AUGER ROTATION ALLOWS LOWER MOUNTING HEIGHT



ENVIROPAC, INC.

229 State Route 251 • Box 229 • Compton, IL 61318 • Phone (800) 752-1414 • Fax (815) 497-2300

www.enviropacinc.com

NOTE: Pictures shown may not show exact features of current models.